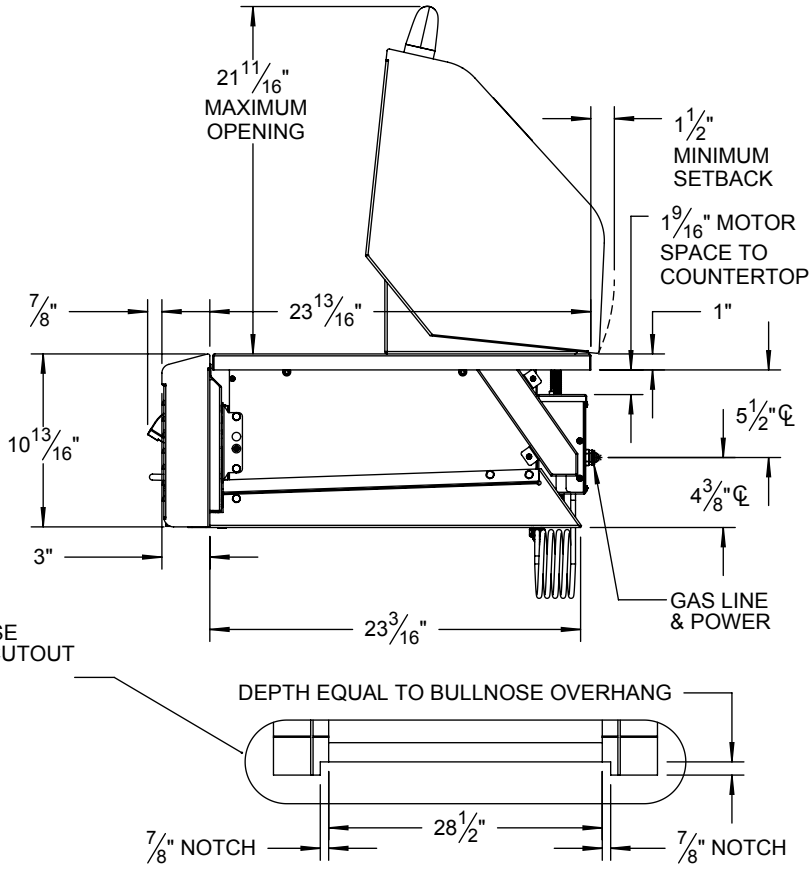
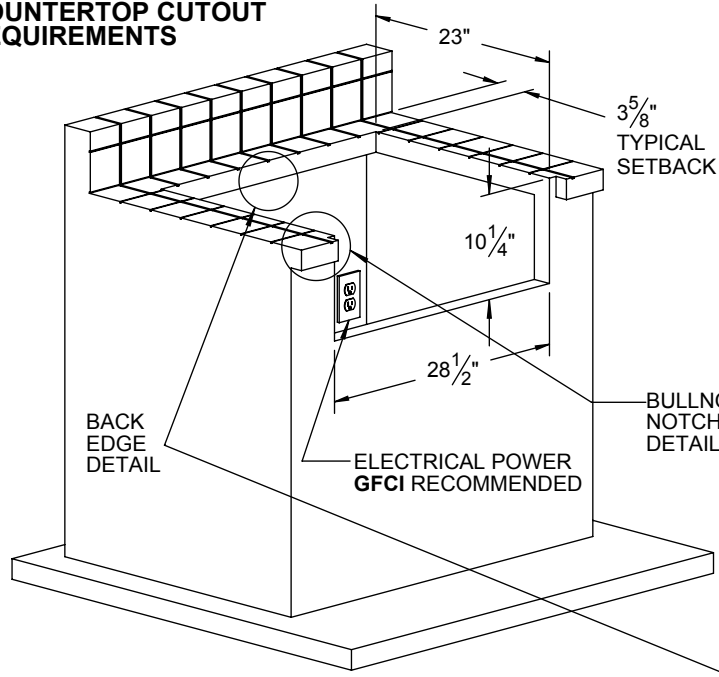
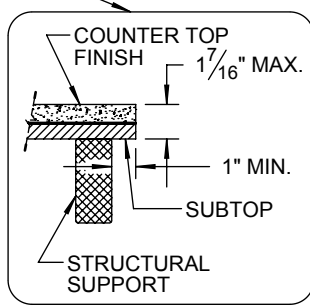


**COUNTERTOP CUTOUT REQUIREMENTS**



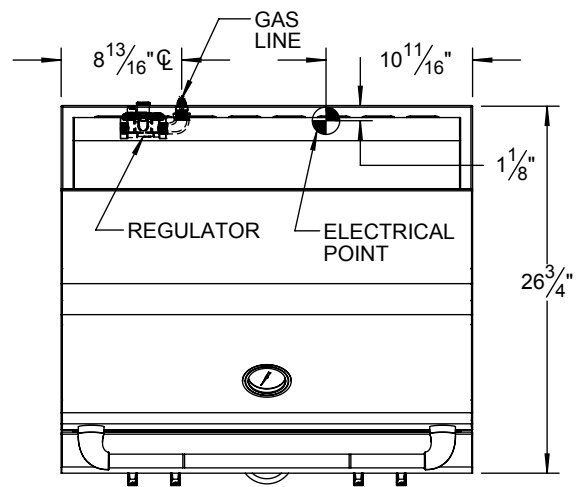
**NOTE:**

- CUTOUT SHOWN FOR NON - COMBUSTIBLE CONSTRUCTION ONLY. OTHERWISE USE OF AIJ-30 INSULATING JACKET IS REQUIRED.
- COUNTER MUST HAVE PROPER GAS AND POWER SUPPLIES FOR YOUR ALFRESCO BBQ.



**SPECIFICATIONS:**

BTUH = 77,000  
 FUEL = NG @ 5 W.C. OR LP @ 10 W.C.  
 ELECTRICAL POWER = 115 VAC / 1.44 AMPS / 60 Hz.  
 GAS CONNECTION = 1/2" NPT (NG) OR 3/8" ODF (LP)



THE INFORMATION CONTAINED IN THIS DRAWING IS THE SOLE PROPERTY OF SUPERIOR EQUIPMENT SOLUTIONS INC. ANY REPRODUCTION IN PART OR AS A WHOLE WITHOUT WRITTEN PERMISSION FROM SUPERIOR EQUIPMENT SOLUTIONS, INC. IS PROHIBITED.

**DRAWN BY:** ADRIAN CRISCI  
**CREATED:** 9/2/2011 8:57:38 AM

**PROJECT TITLE:**  
**ALFRESCO GRILLS**

**DRAWING TITLE:**  
**ALX2-30 / 30SZ SPECIFICATIONS**

**DRAWING NO.:** ALX2-30 SPEC SHEET

SHEET 1 OF 1

SUPERIOR EQUIPMENT SOLUTIONS  
 7039 EAST SLAUSON AVENUE  
 COMMERCE, CA. 90040